

General notes

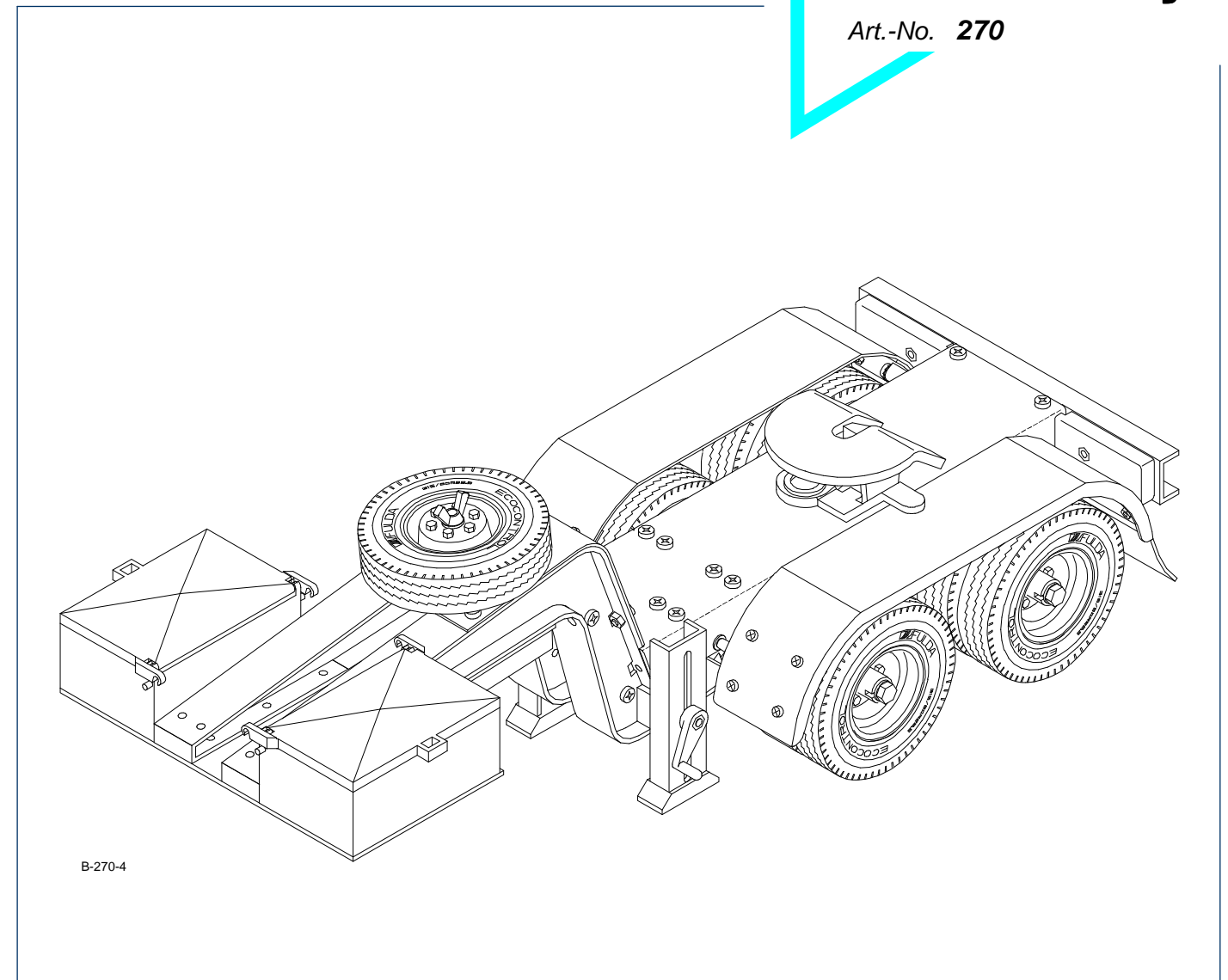
Please follow the steps of assembly accordingly to the instructions. Each single assembly step is described and illustrated; furthermore a **parts list** indicates the required components for the actual construction step. Carefully observe the notes explaining the various steps of assembly and use only those parts which are provided. This will insure a correct result of assembly.

M3 hex nuts are not provided with an identification number. **Individual components in the accessory kits** are denoted by a **boldface A in front of the identification number** and not included in the parts list.

For easier identification of different screws and washers, on the left side of this page we are adding an illustration of the **most important parts at original scale**. Not illustrated parts are to be identified by comparing the proportion.

Tip: The make-up of this instruction allows putting together your own booklet if you wish so. For this purpose you have to fold and stick the pages as follows:

1. Turn round the **first page** with the **English text facing downwards**, and lay the **next page** on top of the first, with the **English text facing upwards**.
2. Glue the two pages together at the left outer edge (e.g. using adhesive tip) and fold the top page across to the left (with the fold vertically in the middle).
3. Lay the **next page** on top of the previous one with the **English text facing upwards**, stick the left outer edges and fold over to the left again as before. Similarly add remaining pages.
4. Finally glue together all pages at the inner edges, too, and fold the **original page over as a cover**, sticking it firmly at the left hand edge.



Complete list of parts necessary for the assembly (please use EDP-number when ordering spare parts)

Qty.	No.	Assembly part	EDP-No.	Qty.	No.	Assembly part	EDP-No.	Qty.	No.	Assembly part	EDP-No.
50	--	Nut M3	20040	1	44	Link lever	20148	2	246	Landing leg foot	22646
27	1	Screw M3 x 6	20016	1	46	Frame tail piece	20002	2	247	Landing leg support	22650
6	2	Screw M3 x 8	20018	1	47	Bumper, rear	20006	2	248	Crank	22648
4	3	Screw M3 x 20	20022	4	52	Rim, grey	20128	2	341	Blinker lens high, orange	20304
8	4	Countersunk screw M3 x 10	20024	5	52	Rim, chromed	20420	4	342	Lens/rear light, high	20308
13	6	Screw M3 x 25	20026	9	53	Standard tyre "Ecocontrol"	28840	4	566	Shim 4 x 8 x 1	21998
2	11	Screw M3 x 30	21690	2	57	Screw M3 x 10	20020	2	709	Lamp cap	20264
19	13	Washer 3.2	20046	2	65	Countersunk screw M3 x 12	20032	2	715	Mudguard support "X"	21275
4	15	Serrated washer 3.2	20054	2	68	Rear axle	20126	2	716	Mudguard support "O"	21274
4	17	Hex head screw M4 x 8	20036	8	70	Spring carrier, plastic	20138	2	717	Mud flap	24074
1	18	Hex head screw M4 x 25	20038	1	71	Fifthwheel	20008	1	726	Wing nut M4	22906
1	19	Nut M4	20042	1	72	Bar for kingpin	20010	1	1090	Frame Gooseneck Dolly	27784
5	20	Washer 4.3	20048	1	73	Shaft for fifthwheel	20012	1	1091	Connecting panel	27786
1	21	Tapping screw 2.2 x 4.5	20052	1	74	Draw spring	20462	1	1092	Mounting panel, front	27788
2	25	Retaining washer 3.2	20058	16	109	Nut M2	21208	2	1093	Crosshead, Gooseneck Dolly	27790
8	26	Bushing 4 x 0.5 x 7	20088	16	114	Screw M2 x 6	21268	2	1094	Twin-axle fender, checker plate	24932
1	27	Axle tube	20150	1	179	Carrier plate for kingpin	20186	2	1133	Shim 3 x 6 x 0.3	25620
8	28	Threaded bushing 20mm	20070	1	180	Kingpin stand, fifthwheel	20188	2	1307	Reinforcement panel	27910
4	32	Spring long, "AF"	20132	2	233	Tool box case	21360	1			
4	33	Spring medium, "AF"	20134	2	234	Tool box cover	21362	2			
4	34	Spring short, "AF"	20136	2	245	Landing leg, yellow	23076				

Technical description

Body 1 to 2mm thick aluminium panels. Stainless steel threaded connectors and bending wire components, high impact plastic components.

Measurements: Length over all 439 mm
Width over all 160 mm
Height 125 mm

Dear modelling enthusiast!

We are glad that you have decided on one of the precious **WEDICO** truck models! For the manufacture of individual parts **WEDICO** uses durable materials of high quality - rarely to find in these days. This guarantees durability and enjoyment of your model for years to come.

If you should ever require **replacement parts**, please get in touch with your dealer or directly with **WEDICO**. For order purpose it is important using not only those **EDP-numbers** mentioned within the general parts list but also indicating the necessary details concerning colour, quantity and exact term of the spares required. You may be assured that **WEDICO** will supply the replacement part as quick as possible.

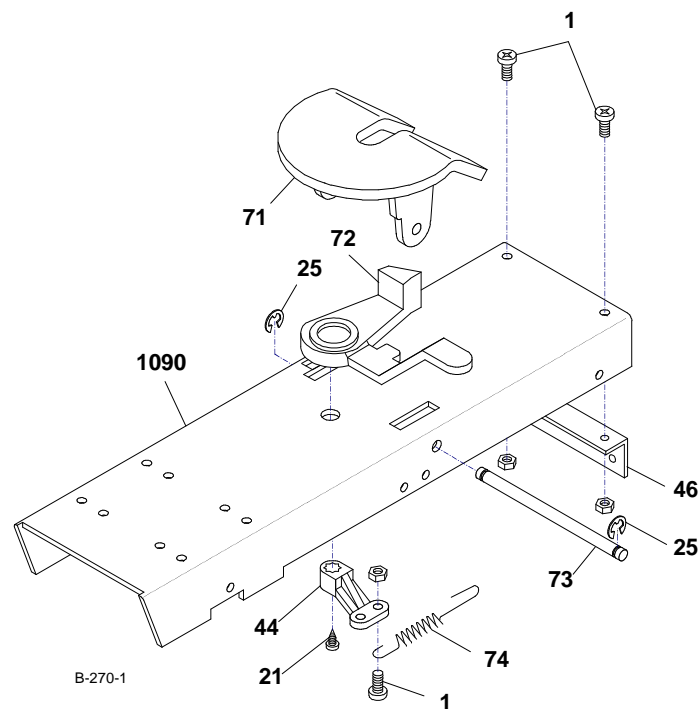
Enjoy assembling your truck!

Your **WEDICO-Team**

1 Mounting the fifthwheel and the frame tail piece

Attach the spring **74** to the link lever **44** with one screw **1** and M3 nut. From top insert the bar **72** into the opening and secure it from underneath with the link lever and a tapping screw **21**. From top mount the fifth-wheel **71** thereby inserting the feet into the slots on the frame. Slide the shaft **73** through the lateral holes on the frame and on the fifth-wheel foot, thereby catching the free end of the spring **74** between both feet. Use two retaining washers **25** to secure the shaft.

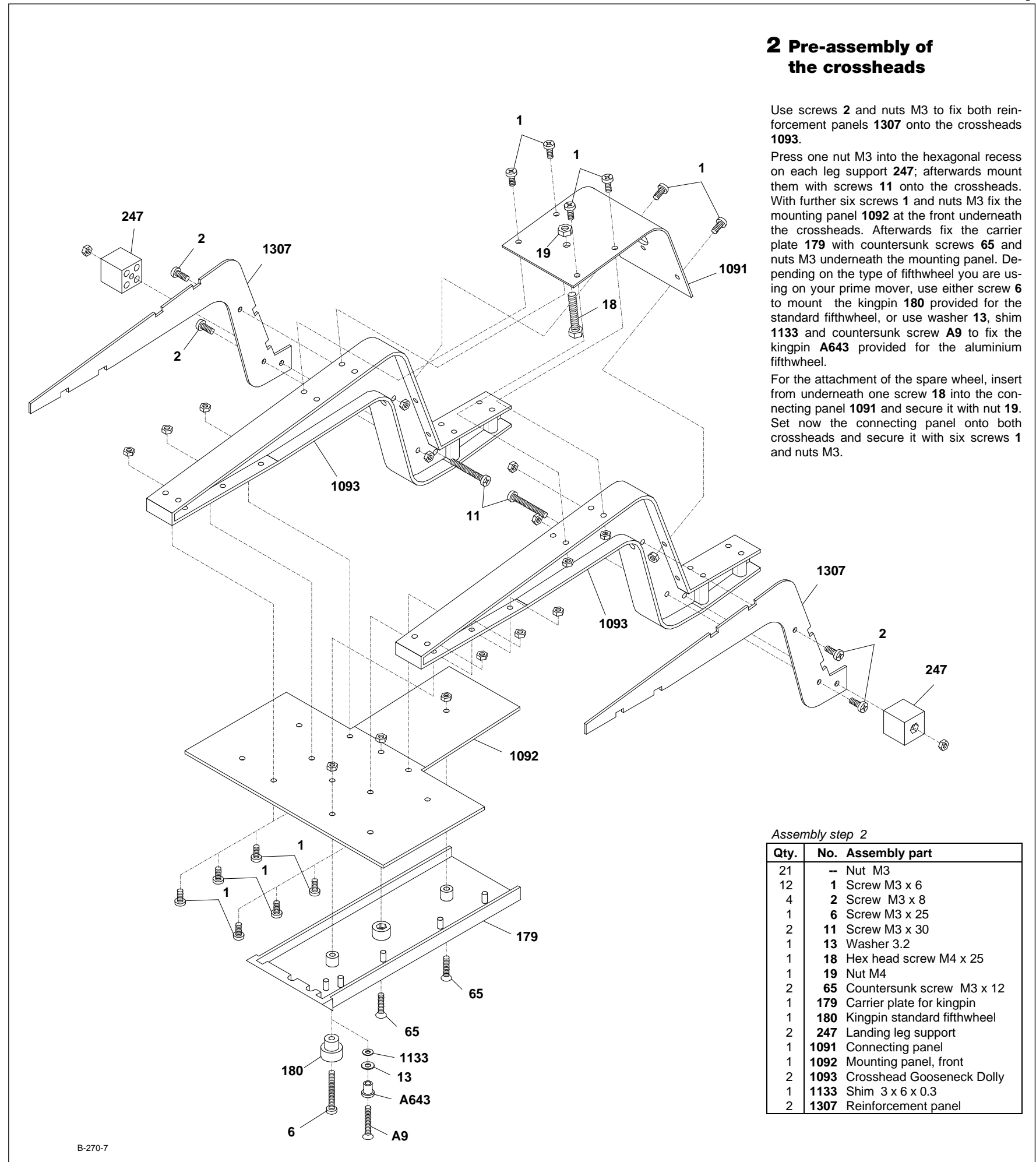
With screws **1** and nuts M3 fix the frame tail piece **46** underneath the frame.



B-270-1

Assembly step 1

Qty.	No.	Assembly part
3	--	Nut M3
3	1	Screw M3 x 6
1	21	Tapping screw 2.2 x 4.5
2	25	Retaining washer 3.2
1	44	Link lever
1	46	Frame tail piece
1	71	Standard fifthwheel
1	72	Bar for kingpin
1	73	Shaft for fifthwheel
1	74	Draw spring
1	1090	Frame Gooseneck Dolly



B-270-7

2 Pre-assembly of the crossheads

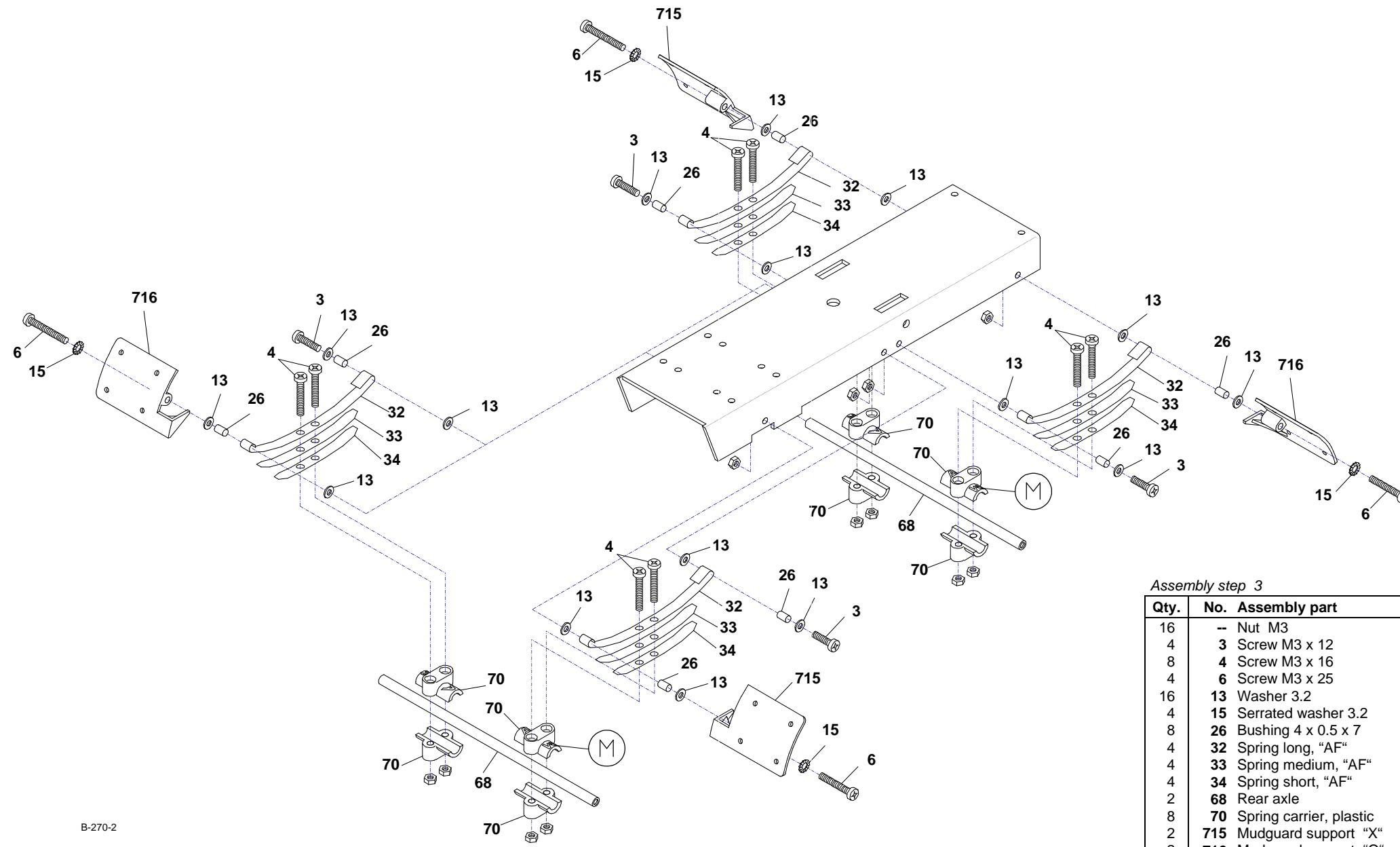
Use screws **2** and nuts M3 to fix both reinforcement panels **1307** onto the crossheads **1093**.

Press one nut M3 into the hexagonal recess on each leg support **247**; afterwards mount them with screws **11** onto the crossheads. With further six screws **1** and nuts M3 fix the mounting panel **1092** at the front underneath the crossheads. Afterwards fix the carrier plate **179** with countersunk screws **65** and nuts M3 underneath the mounting panel. Depending on the type of fifthwheel you are using on your prime mover, use either screw **6** to mount the kingpin **180** provided for the standard fifthwheel, or use washer **13**, shim **1133** and countersunk screw **A9** to fix the kingpin **A643** provided for the aluminium fifthwheel.

For the attachment of the spare wheel, insert from underneath one screw **18** into the connecting panel **1091** and secure it with nut **19**. Set now the connecting panel onto both crossheads and secure it with six screws **1** and nuts M3.

Assembly step 2

Qty.	No.	Assembly part
21	--	Nut M3
12	1	Screw M3 x 6
4	2	Screw M3 x 8
1	6	Screw M3 x 25
2	11	Screw M3 x 30
1	13	Washer 3.2
1	18	Hex head screw M4 x 25
1	19	Nut M4
2	65	Countersunk screw M3 x 12
1	179	Carrier plate for kingpin
1	180	Kingpin standard fifthwheel
2	247	Landing leg support
1	1091	Connecting panel
1	1092	Mounting panel, front
2	1093	Crosshead Gooseneck Dolly
1	1133	Shim 3 x 6 x 0.3
2	1307	Reinforcement panel



B-270-2

3 Assembly of the axles

3.1 Mounting the rear axle

Attach the mud guard support **715** marked by "X" onto the right-hand side, and the other mud guard support **716** marked by "O" on the left-hand side. Use screws **6**, serrated washers **15**, bushing **26**, two washers **13** and M3 nuts to fix the supports onto the rearward holes on the frame, provided for the attachment of the springs.

Hang both long spring leaves **32** with their open ends to the bushings and use screws **3**, washers **13**, bushing **26** and M3 nut to screw the closed ends to the axle carrier. Press two each M3 nut into the hexagonal recesses on the lower spring carrier **70**. Afterwards mount the axle **68** together with the spring carriers, one each medium spring leaf **33**, one short spring leaf **34** and screws **4**.

⚠ Ensure that the sides of the spring carrier **70** marked by an "M" are mounted towards the wheel.

⚠ Mount the wheels accordingly to chapter 5.3 before you start tightening the screws **4**. Please ensure that the spring sets are not under tension and can move freely.

3.2 Mounting the front axle

Mount each one screw **3**, bushing **26**, two washers **13** and nut M3 onto the rear holes provided for the attachment of the springs. Hang both long spring leaves **32** with their open ends together with the supports for the closed ends together with the supports for the mudguards onto the frame: for this purpose use screws **6**, serrated washer **15**, bushing **26**, two washers **13** and nut M3. Mount then the mudguard support **715** marked by "X" to the left-hand side, and that support **716** marked by "O" the right-hand side.

The remaining instructions are the same as for the assembly of the rear axle.

Assembly step 3

Qty.	No.	Assembly part
16	--	Nut M3
4	3	Screw M3 x 12
8	4	Screw M3 x 16
4	6	Screw M3 x 25
16	13	Washer 3.2
4	15	Serrated washer 3.2
8	26	Bushing 4 x 0.5 x 7
4	32	Spring long, "AF"
4	33	Spring medium, "AF"
4	34	Spring short, "AF"
2	68	Rear axle
8	70	Spring carrier, plastic
2	715	Mudguard support "X"
2	716	Mudguard support "O"

4 Assembly of the front parts

4.1 Mounting the landing leg

Press one each landing leg foot **246** under the legs **245**. Along with each two shims **566** set the legs onto the threading of the leg supports you have previously mounted; afterwards mount the cranks **248** using washer **13** and nut M3.

4.2 Mounting the tool- and fittings boxes

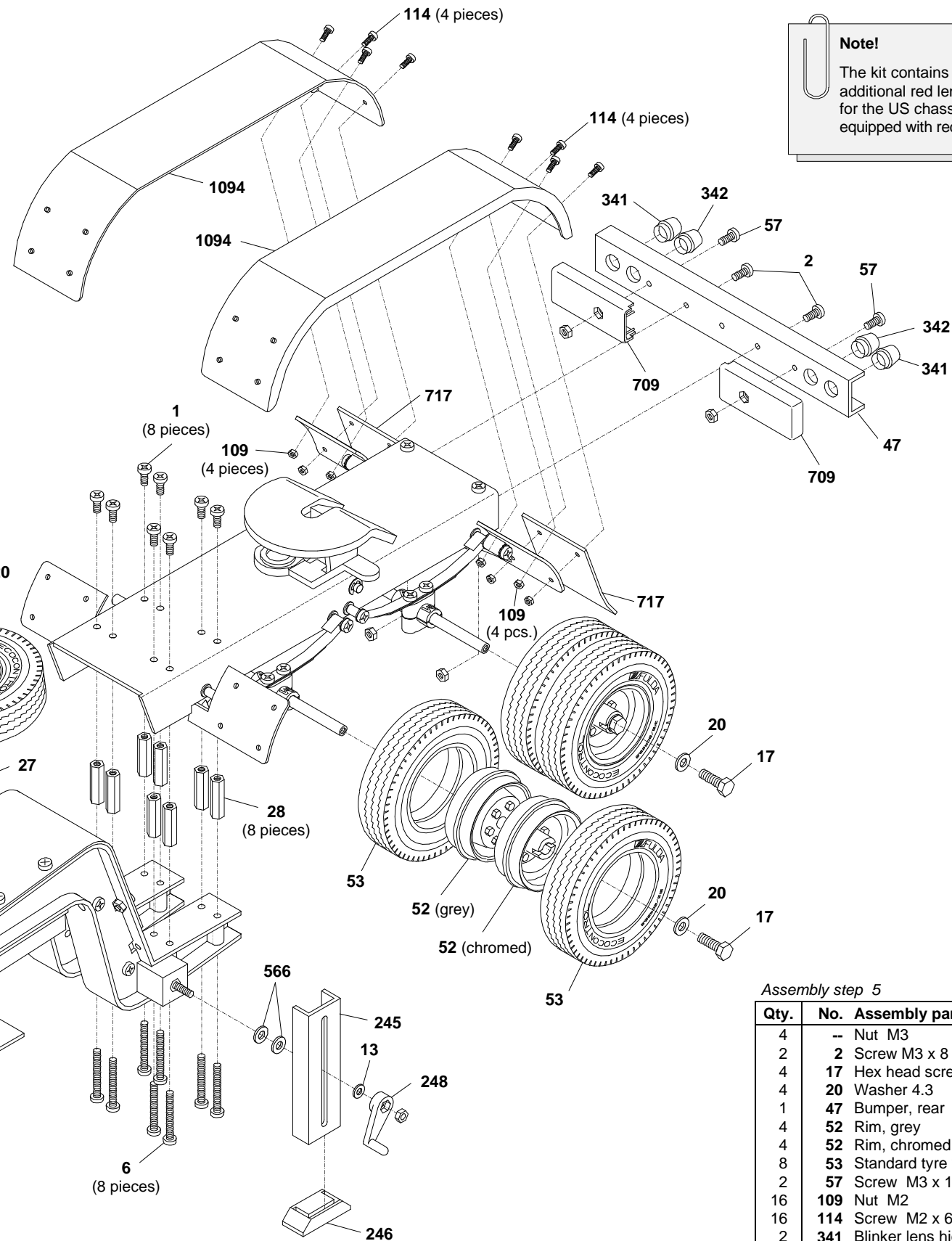
Use two each screws **1** and nuts M3 to fix the cases **233** of the tool- and fittings boxes onto the mounting plate. From top press then the covers **234** into the lateral catching points therefore provided.

4.3 Attachment of the spare wheel

Once you have mounted the tyre **53** onto the chromed rim **52**, put the wheel along with one axle tube **27** onto the threading of that screw you therefore have previously added; tighten it using washer **20** and wing nut **726**.

Assembly step 4

Qty.	No.	Assembly part
6	--	Nut M3
4	1	Screw M3 x 6
2	13	Washer 3.2
1	20	Washer 4.3
1	27	Axle tube
1	52	Rim, chromed
1	53	Standard tyre "Ecocontrol"
2	233	Tool box case
2	234	Tool box cover
2	245	Landing leg, yellow
2	246	Landing leg foot
2	248	Crank
4	566	Shim 4 x 8 x 1
1	726	Wing nut M4



Note!
The kit contains two additional red lenses **342** for the US chassis version equipped with red blinkers.

5 Assembly of the rear parts

5.1 Mounting the fenders

Onto the front and rear premounted mud-guard supports screw the twin-axle fenders **1094** with four each screws **114** and nuts **109**. At the same time add at the rear the mud flaps **717**.

5.2 Mounting the bumper

Now fix the lamp caps **709** to the rear bumper **47** using one each screw **57** and M3 nut. While the orange lenses **341** are inserted from the outside into the rear bumper, insert the red lenses **342** from inside. Afterwards set the bumper in front of the frame tail piece and fix it using crews **2** and nuts **M3**.

5.3 Mounting the wheels

Once you have mounted the tyres **53** onto the rims **52**, add the wheels onto the shaft, with the wheel nuts facing towards each other and the chromed rims towards the outside; secure with washer **20** and screw **17**. The wheels should turn easily but should not have to much free play.

6 Final assembly step

Insert eight threaded bushings **28** between the frames and the crossheads and fix them from top with screws **1** and from underneath with screws **6**.

Assembly step 5

Qty.	No.	Assembly part
4	--	Nut M3
2	2	Screw M3 x 8
4	17	Hex head screw M4 x 8
4	20	Washer 4.3
1	47	Bumper, rear
4	52	Rim, grey
4	52	Rim, chromed
8	53	Standard tyre "Ecocontrol"
2	57	Screw M3 x 10
16	109	Nut M2
16	114	Screw M2 x 6
2	341	Blinker lens high, orange
4	342	Lens/rear light high, red
2	709	Lamp cap
2	717	Mud flap
2	1094	Twin-axle fender, checker plate

Assembly step 6

Qty.	No.	Assembly part
8	1	Screw M3 x 6
8	6	Screw M3 x 25
8	28	Threaded bushing 20mm

B-270-3