

General notes

Please follow the steps of assembly accordingly to the instructions. Each single assembly step is described and illustrated, and furthermore does the **parts lists** indicate the required components for the actual construction step. Carefully observe the notes explaining the various steps of assembly and use only those parts which are provided. This will insure a correct result of assembly.

M3 hex nuts are not provided with an identification number. Individual assembly parts contained in **different kits** are denoted with their part number in **brackets**. For easier identification of different screws and washers, on the left side of this page we are adding an illustration of the **most important parts at original scale**.

Electrical Installation

If you intend adding the lighting we recommend using the following articles :

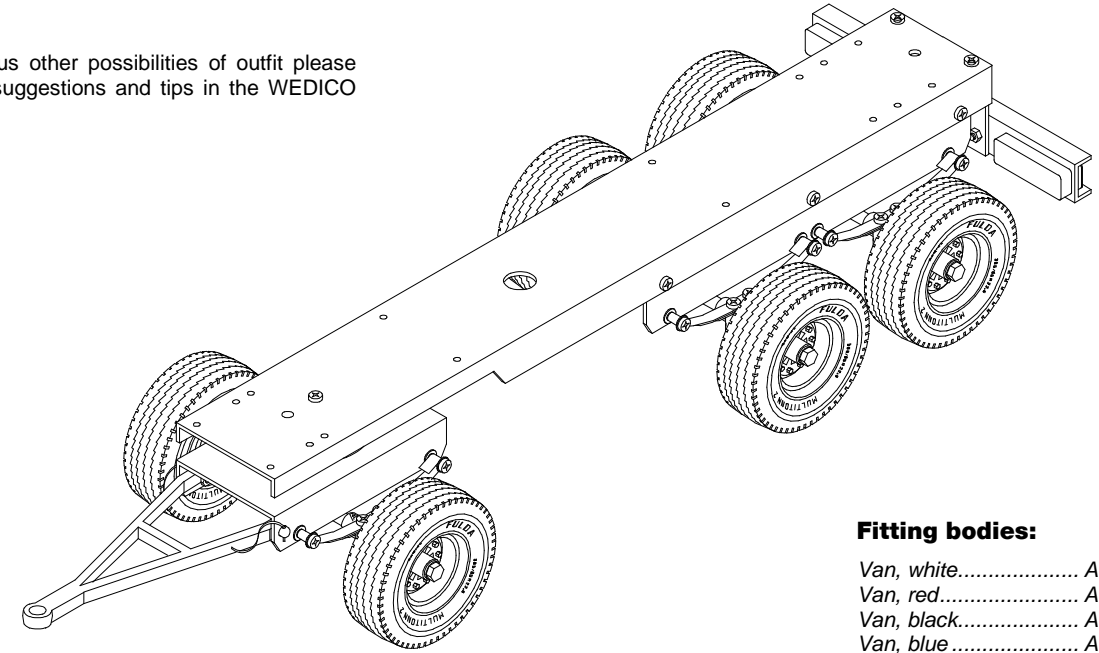
- **Electrical System, Art.-No. 785**, so far your prime mover is equipped by an Electrical System of either Art.-No. 782 or No. 783.
- **Infrared System, Art.-No. 791** if your prime mover is equipped with one of the Electrical Systems of either Art.-No. 782, or No. 783 plus the Infrared Transmitter Art.-No. 790.
- **Electrical System „MF-A“, Art.-No. 797** if your prime mover is equipped with either the Electrical System „MF“, Art.-No. 796, or with one of the Electrical Systems of either Art.-No. 782 or No. 783 plus the Infrared Transmitter Art.-No. 790.

Standard Chassis for 3-axle trailer
Art.-No. 372 unpainted

Accessories (options):

- Electrical System..... Art.-No. 785
- Electrical System "MF-A"..... Art.-No. 797
- Double Fenders, polished..... Art.-No. 378
- Double Fenders, checker plate..... Art.-No. 379
- Mud Guards..... Art.-No. 380
- Mud Flaps..... Art.-No. 381
- Mud Flaps for 4-Chamber Rear Lights..... Art.-No. 444
- Stop Block..... Art.-No. 426

For various other possibilities of outfit please find our suggestions and tips in the WEDICO catalog.



Fitting bodies:

- Van, white..... Art.-No. 315
- Van, red..... Art.-No. 316
- Van, black..... Art.-No. 317
- Van, blue..... Art.-No. 323
- Round Tank, white..... Art.-No. 324
- Oval Tank, white..... Art.-No. 326
- Oval Tank, polished..... Art.-No. 327
- Tarp-top, white..... Art.-No. 505

B-372-0

Tip: The make-up of this instruction allows putting together your own booklet if you wish so. For this purpose you have to fold and stick the pages as follows::

1. Turn round the **first page** with the **English text facing downwards**, and lay **the next page** on top of the first, with the **English text facing upwards**.
2. Glue the two pages together at the left outer edge (e.g. using adhesive tip) and fold the top page across to the left (with the fold vertically in the middle).
3. Lay the next page on top of the previous one with the English text facing upwards, stick the left outer edges and fold over to the left again as before. Similarly add remaining pages.
4. Finally glue together all pages at the inner edges, too, and fold **the original page over as a cover**, sticking it firmly at the left hand edge.

Complete list of parts necessary for the assembly (please use EDP-number when ordering spare parts)

Qty.	No.	Assembly part	EDP-No.	Qty.	No.	Assembly part	EDP-No.	Qty.	No.	Assembly part	EDP-No.
35	---	Nut M3.....	20040	1	123	Frame 3-axle trailer.....	20854	2	659	Reflector, 4-ch.-light.....	25758
10	2	Screw M3 x 8.....	20018	2	124	Axle carrier for 3-axle trailer.....	20856	2	660	Lens orange, 4-ch.-light..	25750
15	3	Screw M3 x 12.....	20022	1	125	Front sub-frame.....	20866	5	661	Lens red, 4-ch.-light.....	25752
12	4	Screw M3 x 16.....	20024	1	126	Drawbar.....	20868	1	662	Lens clear, 4-ch.-light....	25748
24	13	Washer 3.2.....	20046	1	127	Turntable, upper part.....	20870	1	663	Bumper, 4-chamber-light, polished.....	25876
6	17	Hex head screw M4 x 8.....	20036	1	128	Turntable, lower part.....	20872	4	727	Countersunk tapping screw 2.2 x 6.5.....	26252
6	20	Washer 4.3.....	20048	1	129	Bearing spigot.....	20874	6	869	Wide tyre "Multitonn 2" ..	26260
12	26	Bushing 4 x 0.5 x 7.....	20088	1	130	Bumper bracket, non-polished.....	20176	6	871	Rim for wide tyre, long shaft, chromed	26419
6	32	Spring long, "AF".....	20132	1	657	Lamp chamber, 4-chamber light.....	25754				
6	33	Spring medium, "AF".....	20134	2	658	Frame, 4-chamber light... ..	25756				
6	34	Spring short, "AF".....	20136								
3	68	Rear axle 144mm.....	20126								
12	70	Spring carrier, plastic.....	20138								

Technical description

- Chassis** Torsion resistant aluminium U-profile 60 x 20 x 2 mm. Wide tyres made of soft rubber with reproduction of original tread pattern, chromed wheel rims. 3-part leaf spring packages made of stainless steel on all axles. Polished aluminium bumper with 4-chamber rear lights. All individual parts are screwed. All models may be dismounted and reassembled again.
- Measurements** Length (without drawbar).....448 mm
Width over all160 mm
Heightappr. 95 mm
Weight.....1.0 kg

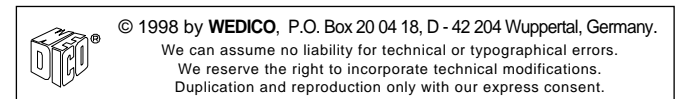
Dear modelling enthusiast!

We are glad that you have decided on one of the precious **WEDICO** truck models! For the manufacture of individual parts **WEDICO** uses durable materials of high quality - rarely to find in these days. This guarantees durability and enjoyment of your model for years to come.

If you should ever require **replacement parts**, please get in touch with your dealer or directly with **WEDICO**. For order purpose it is important using not only those **EDP-numbers** mentioned within the general parts list but also indicating the necessary details concerning colour, quantity and exact term of the spares required. You may be assured that **WEDICO** will supply the replacement part as quick as possible.

Enjoy assembling your truck!

Your **WEDICO-Team**



1 Mounting the axle carriers

Mount both axle carriers 124 inside onto the frame 123 with screws 2 and nuts M3.

2 Assembly of the turntable

Start by screwing up the following parts with screw 3 and nut M3 to the frame: the turntable upper part 127, the lower part 128 and the bearing spigot 129. The round spigot in the turntable upper part has to catch the corresponding hole in the frame.

→ **When installing the Electrical System, Art.-No. 785:** Before mounting the turntable, lead the cable with its 6-pole plug through the grommet (supplied with the kit), through the large hole in the sub-frame and the slots within the turntable parts. Secure the cable at the top and at the bottom with two grommets (131) and fix them with screws M2x8 (115) and nuts M2 (109) onto the front sub-frame 125.

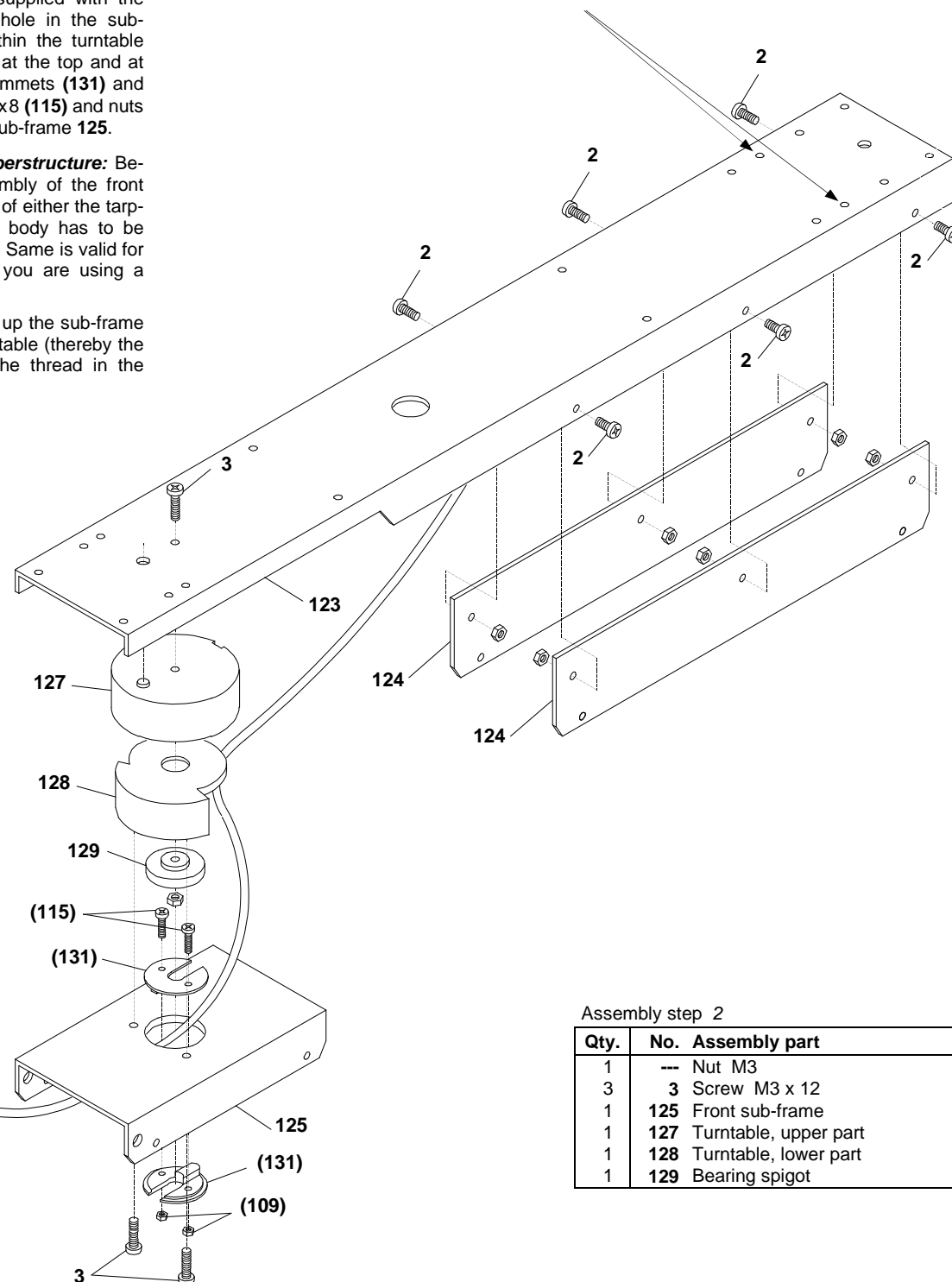
→ **Attachment of the superstructure:** Before you start the assembly of the front sub-frame 125, the floor of either the tarp-top body or of the van body has to be mounted onto the frame. Same is valid for the distance support if you are using a tank body.

Use two screws 3 to screw up the sub-frame to the lower part of the turntable (thereby the screws automatically cut the thread in the holes on the plastic part).

Assembly step 1

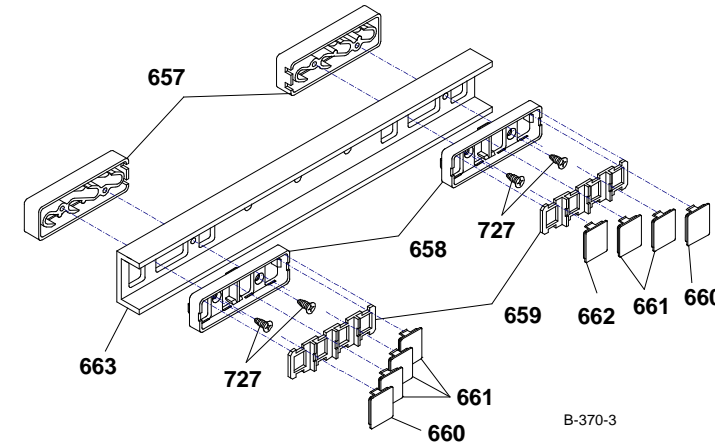
Qty.	No.	Assembly part
6	---	Nut M3
6	2	Screw M3 x 8
1	123	Frame 3-axle trailer
2	124	Axle carrier for 3-axle trailer

When installing an electrical system mount the bushings M3x20 for the grommets at these points.



Assembly step 2

Qty.	No.	Assembly part
1	---	Nut M3
3	3	Screw M3 x 12
1	125	Front sub-frame
1	127	Turntable, upper part
1	128	Turntable, lower part
1	129	Bearing spigot



Assembly step 3

Qty.	No.	Assembly part
2	657	Lamp chamber, 4-ch.-light
2	658	Frame, 4-chamber light
2	659	Reflector, 4-chamber light
2	660	Lens orange, 4-chamber light
5	661	Lens red, 4-chamber light
1	662	Lens clear, 4-chamber light
1	663	Bumper, 4-ch.-light, polished
4	727	Countersunk tapping screw 2.2 x 6.5

3 Mounting the lamps

→ **When installing an electrical system:** First insert the bulbs in the lamp caps 657. When assembling take particular care that the bulb cables are not clamped; this could cause a short circuit!

→ **Attachment of Mud Flaps for 4-Chamber Rear Lights Art.-No. 444:** Insert the mud flaps between light chamber and bumper.

Lay both frames 658 into the bumper 663 and screw them onto the light chambers 657 using screws 727. Then lay the reflectors 659 into the frames; accordingly to the drawing press now the lenses 660, 661 and 662 into the frames.

Electrical System for trailers, Art.-No. 785

B-372-1

B-370-3

4 Assembly of the rear axles

→ **Installation of Mud Guards, Art.-No. 380:** Mud guards can be attached each behind the sub-frame axle, and in front of the first and behind the second rear axle. When mounting mud guards, replace the screw 3 by one screw 6 (M3 x 25) supplied with the mudguards and refer to the corresponding instructions.

First add the screws 3 together with washers 13, bushings 26, and M3 nuts to the rearward holes on the frame, provided for the attachment of the springs. Hang both long spring leaves 32 with their open ends to the bushing and use a screw 3, bushing 26, washer 13 and M3 nut to screw the closed ends to the axle carrier. Press one each M3 nut into the hexagonal recess on the lower spring carrier 70. The axle 68 can now be mounted together with the spring carriers, one medium spring leaf 33 each, a short spring leaf 34 and screws 4 (see notes below).

☞ Ensure that the sides of the spring carrier 70 marked by an "A" are mounted towards the wheel.

☞ Mount the wheels accordingly to assembly step 7 before you start tightening the screws 4. Please ensure that the spring sets are not under tension and can move freely.

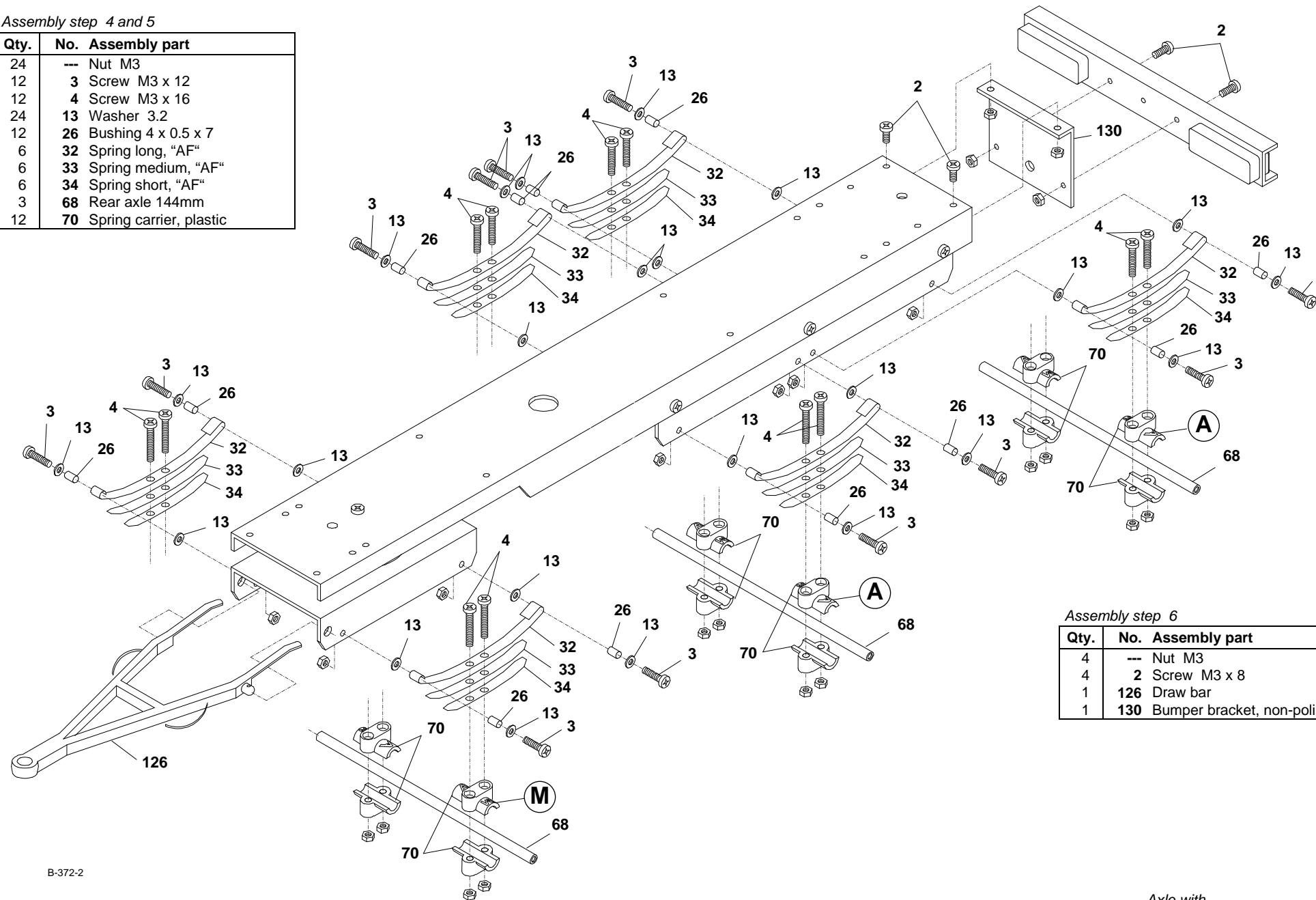
5 Assembly of the front axle

Except the position of the spring carriers 70, similarly to the assembly of the rear axle mount the single parts on the front sub-frame.

☞ Ensure that the sides of the spring carrier 70 marked by an "M" are mounted towards the wheel.

Assembly step 4 and 5

Qty.	No.	Assembly part
24	--	Nut M3
12	3	Screw M3 x 12
12	4	Screw M3 x 16
24	13	Washer 3.2
12	26	Bushing 4 x 0.5 x 7
6	32	Spring long, "AF"
6	33	Spring medium, "AF"
6	34	Spring short, "AF"
3	68	Rear axle 144mm
12	70	Spring carrier, plastic



B-372-2

6 Attachment of the bumper and assembly of the drawbar

After having fixed the bumper bracket 130 with screws 2 and nuts M3 underneath the frame, use now screws 2 and nuts M3 to attach the bumper.

→ **Mounting the superstructure:** Some of the body parts have to be mounted along with the bumper support (please refer to the corresponding instructions).

The spigots on the drawbar 126 which previously were hooked into the fore bores on the turntable, have a small transverse bore on their outside. After having inserted the drawbar into the holes on the sub-frame, secure the drawbar by inserting the thin plastic threads through the transverse bores.

Assembly step 6

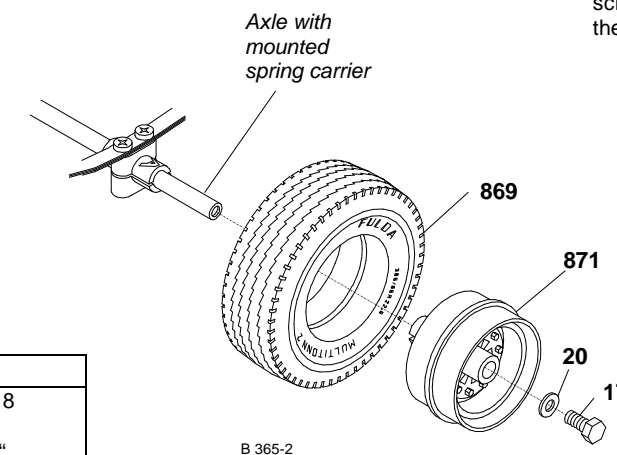
Qty.	No.	Assembly part
4	--	Nut M3
4	2	Screw M3 x 8
1	126	Draw bar
1	130	Bumper bracket, non-polished

7 Mounting the wheels

Once you have mounted the tyres 869 onto the rims 871, mount the wheels onto the axle, screw them up with washers 20 and screw 17. The wheels should turn easily but there should not be too much play.

Assembly step 7

Qty.	No.	Assembly part
6	17	Hex head screw M4 x 8
6	20	Washer 4.3
6	869	Wide tyre "Multitonn 2"
6	871	Rim for wide tyre, long shaft, chromed



B 365-2